

# KAMADOJOE JOE JR



Shown: Joe Jr Red

# KAMADOJOE JOE JR

## GRILL COMPONENTS & SPECIFICATIONS



**Also Available in Black**



High-Density Polyethylene Handle



High-Fire, Heat-Resistant Ceramic



304 Stainless Steel Grill Grate with Hinged Opening for Adding Charcoal



Full-Size Heat Deflector for Smoking, Cooking with Indirect Heat



Powder-Coated, Galvanized Iron Hinge

### KAMADO JOE JOE JR SPECIFICATIONS

<b>Dimensions</b> .....	16" wide x 22" high x 20.75" deep	40,6cm wide x 55,8cm high x 52,7cm deep
<b>Dimensions w/Stand</b> .....	19.75" wide x 27" high x 20.75" deep	50,1cm wide x 68,5cm high x 52,7cm deep
<b>Cooking Surface</b> .....	13.5" diameter/148.5 sq in	34,2cm diameter/377,1 sq cm
<b>Weight</b> .....	68 pounds	30,8 kilograms
<b>Heat Range</b> .....	225°F – 750°F+	82°C – 399°C

<b>Materials</b>			
<b>Base/Lid</b> .....	High-Fire Heat-Resistant Ceramics	<b>Handle</b> .....	High-Density Polyethylene (HDPE)
<b>Coating on Ceramic</b> .....	Ceramic Glaze	<b>Hinge</b> .....	Powder-Coated Galvanized Iron
<b>Fire Grate/ Top Vent</b> .....	Powder-Coated Cast Iron	<b>Draft Door</b> .....	304 Stainless Steel
<b>Grill Grate</b> .....	304 Stainless Steel	<b>Stand</b> .....	Powder-Coated Cast Iron
<b>Fire Box/Ring</b> .....	High-Fire Heat-Resistant Ceramics		

# KAMADOJOE JOE JR

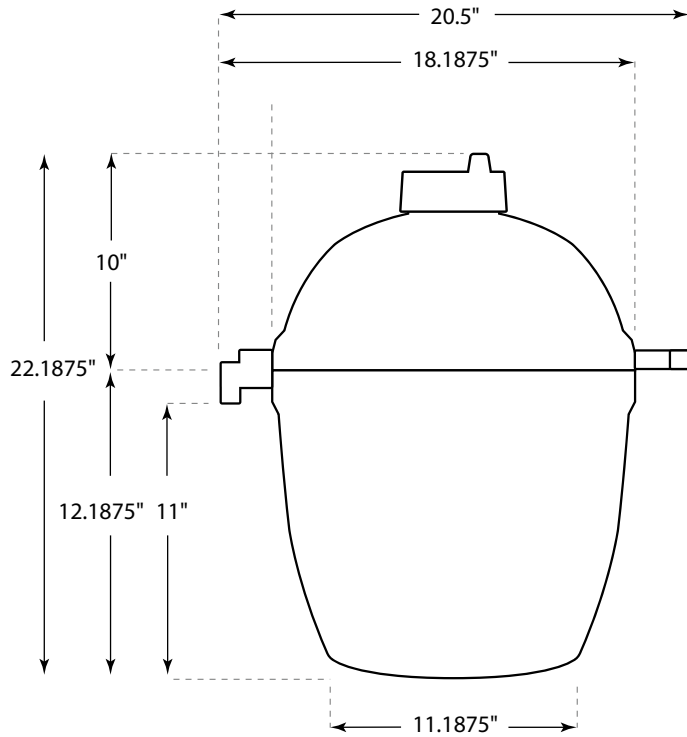
## DIMENSIONS & INSTALLATION GUIDE

### Important Dimension Notes

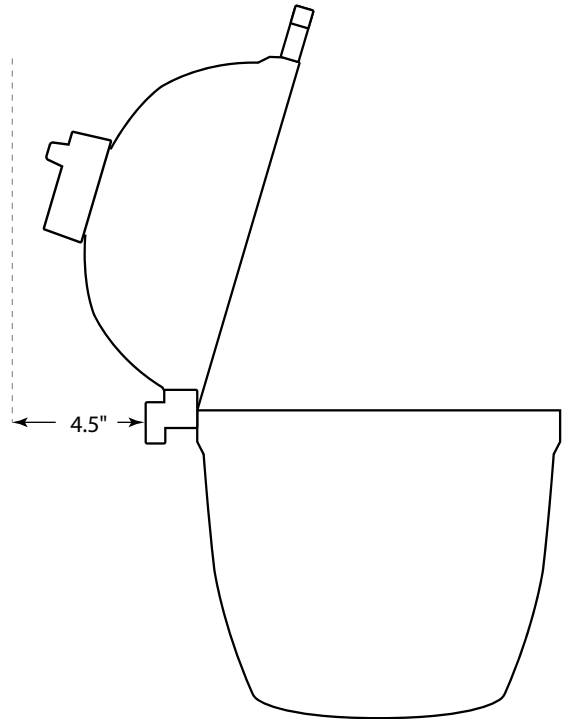
Please use this as a general guide for installing a Joe Jr ceramic grill in a built-in outdoor kitchen or grill table.

**We highly recommend that the actual grill being installed be measured.**

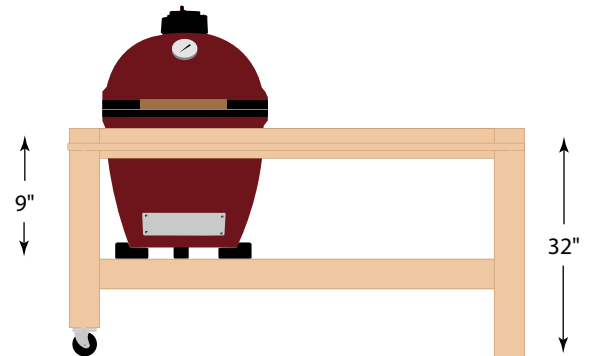
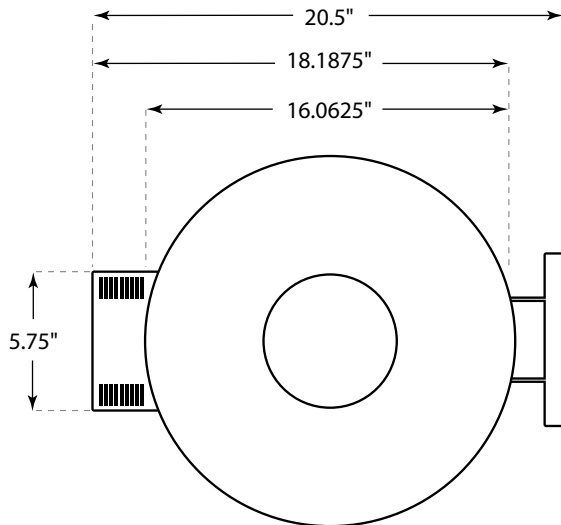
#### Joe Jr Side View



#### Joe Jr Open Clearance



#### Joe Jr Top View



The 1" ceramic feet are included in the height.

